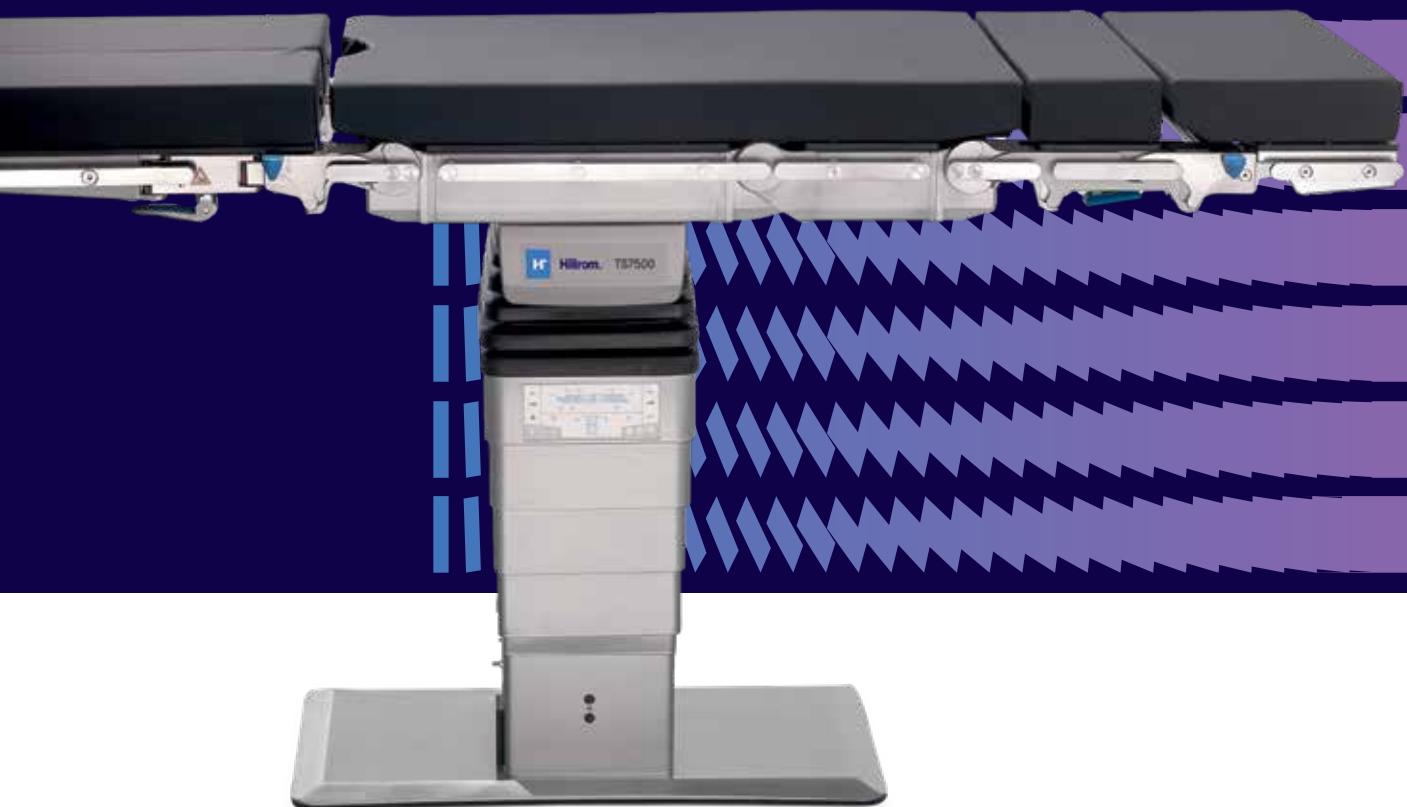




HillromTM



TS7500 System Table

Sophisticated Customization
for Every Procedure



FLEXIBILITY, EFFICIENCY AND SAFETY — IT'S ALL ON THE TABLE

When you need a flexible, efficient and safe system table that allows your OR to pivot from general procedures to more specialized cases, look no further than the TS7500 OR System Table.

With multiple columns and various interchangeable tabletops, the TS7500 System Table seamlessly adapts to a wide range of OR applications and disciplines for a smooth workflow. Stored memory recalls table positions, allowing for faster setup – regardless of room use – so you can focus on patient care.

Also, our highly customizable table provides standardization across ORs, increasing versatility and adaptability while supporting your unique surgical needs. The TS7500 System Table is an innovative solution that makes the most of your investment, helping to ensure your OR is fit for the future, starting now.

One Platform Across Multiple ORs

The TS7500 System Table is reliable, future-proof and safe with interchangeable tabletops that can be easily adjusted for different settings and procedures, enabling increased intraoperative efficiency and productivity. These functionalities and the table's capability for multidisciplinary room use allow ORs to flex from general surgery to Hybrid ORs and beyond.



CUSTOMIZABLE

Tailor your ORs with multiple columns and tabletops for various clinical procedures and specialties from general to spine, neuro, and cardiovascular.



VERSATILE

Suitable for a wide variety of disciplines and applications to safely and easily achieve flexibility in room use and scheduling – so individual rooms can support more cases and procedure types.



EFFICIENT

With common user interfaces across our table portfolio, interchangeable tabletops, stored memory positions and a power shuttle that allows for quick patient transfer, you can achieve the efficient workflows necessary to keep your OR running smoothly.



INTUITIVE

The table features lightweight components, a self-aligning hook coupler system and partner integrations that allow table control from multiple user interfaces for an enhanced workflow.



SAFE

With overload protection, collision monitoring, powered patient transport for easy maneuverability and the ability to accommodate high and low positions for surgeon height, the TS7500 System Table is designed with the safety of the patient and user in mind.

WHAT DOES HILLROM BRING TO THE TABLE?

Flex your OR for multidisciplinary use with interchangeable, lightweight tabletops that range from general purpose to cardio, neuro, and spine-specific applications to seamless integrations with leaders in hybrid imaging. Plus, you can standardize across surgical suites with multiple columns and tabletops for your OR's unique needs.



TS7500 WITH UNIVERSAL (U24) TABLETOP

Choose from several positioning options for various applications such as general, neurosurgery, gynecology, urology, traumatology, and orthopedics.

- Versatile, serving all major clinical specialties
- Sliding, radiolucent tabletop for total body, intraoperative imaging
- High weight capacity with built-in overload protection* for additional safety measures

TS7500 WITH CARBON FLOATLINE TABLETOP

As the heart of your angiography or angiography-CT hybrid OR, this tabletop provides the same comfort as the traditional interventional tables for use in vascular, cardiovascular and neurovascular cases.

- Performs like traditional interventional tables with a force sensor that provides a familiar experience for surgeons
- 208.28 cm imaging window for plenty of imaging access
- Fully integrated with Philips and Siemens systems for improved imaging outcomes

TS7500 WITH CARBON SPINE TABLETOP

This traditional spine tabletop, optimized for the hybrid OR, supports the full range of spine surgeries – from the most routine to the most complex so you can feel comfortable that you have what you need for your spine surgery workflow – and more. Compatible with 3D navigation and advanced imaging systems from partners such as Stryker, Philips and Brainlab.

- Open spine frame reduces vena cava compression, minimizes epidural venous bleeding and improves visualization at the surgical site
- High weight capacity
- Large image window for total spine coverage
- Single column design allows for unrestricted scanner access
- Cervical management capability for precise positioning needs



CARBON X-TRA TABLETOP INTEGRATED WITH STRYKER AIRO® TRUCT® NEUROSURGERY

The radiolucent legacy tabletop provides intraoperative CT imaging to improve efficiency without compromising patient safety.

- Flexible patient positioning in every direction allows for optimal CT imaging
- Carbon fiber material with electrically motorized adjustment of longitudinal and lateral slide for easy maneuverability
- Special carbon coupling point at the foot end of the tabletop supports different X-ray adapters and foot positioning accessories, maximizing flexibility
- Double and triple joints enable precise neurosurgery positions for seamless workflow efficiency

TS7500 WITH MR NEURO TABLETOP INTEGRATED WITH THE IMRIS MR-CONDITIONAL TABLE SYSTEM

Combined with the IMRIS moving MRI magnet, this unique table integration system is designed to give you all the positioning flexibility you need in an MR environment. Safe and effective intraoperative scans when bringing the MRI scanner into the OR replace the need for patient transfers to a shuttle for scans, thus increasing patient safety and enhancing workflow.

- Articulating back joint for operating in semi-seated positions
- Multiple head coil options from NORAS and DORO
- MRI-compatible table and column, the standard for MRI safety
- Integrated exclusively to the IMRIS surgical theater

TS7500 WITH SQ14 X-TRA TABLETOP

Ideal for neuro and cranial procedures by combining carbon segments affixed to the head and foot end, this tabletop is optimally suited for CT imaging.

- Sliding, fully radiolucent tabletop for total body, intraoperative imaging
- Fix mounted carbon segments on head and foot side meet specific surgical requirements in hybrid OR procedures
- Articulating tabletop for proper patient positioning during spine procedures, laterally for VAT procedures, and seated for cranial or neuro procedures for maximum flexibility

Add the SensorLine package to any TS7500 configuration for additional safety and flexibility.

**Included with the SensorLine option.*

SAFE POSITIONING FOR EVERY PROCEDURE

Whatever the position, from supine to prone to lateral to lithotomy, the TS750 System Table provides sophisticated customization that allows you to flex your OR for multidisciplinary use.



GYNECOLOGY



**ORTHOPEDICS
AND TRAUMA**



PEDIATRIC



GENERAL SURGERY



NEUROVASCULAR



NEUROSURGERY



The TS750 System Table allows safe positioning in a variety of procedures, including bariatric due to its weight limit of 399 kg.



SPINAL SURGERY



ORTHOPEDICS



VASCULAR SURGERY

Assisted Transfer with Shuttle

Optimize workflow within the OR with the TS750 System Table. The exchangeable tabletop system enables patient transport within the following areas of the surgical suite:



TRANSFER AND PREPARATION

While working in the OR, the anaesthetic can be administered to the patient on the shuttle.



OPERATING ROOM

Perform a safe, hygienic and precise transfer in just a few steps.



RECOVERY

Ergonomic patient transfer in the recovery area.



The TS7500 System Table integration interface allows for communication with multiple imaging partners.

INNOVATION THROUGH EXCLUSIVE PARTNERSHIPS

When a leading-edge interventional imaging system works side-by-side with a leading-edge OR table, your medical teams benefit from excellent flexibility and real-time visualization at the point of care.

We partner with other surgical leaders to create multi-functional spaces that help you connect diagnosis, treatment and complex surgeries – without leaving the operating room.

Meet Our Partners.

Siemens	IMRIS
Philips	Brainlab
Stryker	

Hybrid Operating Room Solutions

IMPROVE PATIENT SAFETY AND STREAMLINE CLINICAL WORKFLOWS — ALL IN A SINGLE ENVIRONMENT.

From angiography and MRI to CT, we have what you need for every type of imaging modality — and we have the expertise to help you optimize your space.

HYBRID MRI IMAGING

With the MR conditional tabletop and column, flexible positioning with interchangeable tabletops and full integration with our partner portfolio and other MR-conditional products, you can get the visibility you need without risking patient safety through difficult transfers.

HYBRID ANGIOGRAPHY IMAGING

Be confident in your catheter guidance and needle placement with a flexible isocenter for 3D volume imaging and imaging in complex procedures, synchronized movements between the surgical operating table and angiography system for full flexibility in patient positioning – without compromising the imaging workflow.

HYBRID CT IMAGING

Get the 3D image information you need – when you need it – with optimized imaging to protect your patients and streamline your workflows.

ANGIOGRAPHY-CT IMAGING

More efficiency for more use – that’s the vision of an angio or angio-CT hybrid OR. Manage polytraumatic patients in one room, perform complex spine and ablation procedures without moving the patient and perform PAD revascularization with all the tools you need.

Mobile Hybrid Operating Room Solutions

INCREASE OPERATING ROOM EFFICIENCY WITH MOBILE SOLUTIONS THAT GO WHERE YOU NEED THEM.

We combine the TS7500 System Table with flexible mobile X-ray and CT imaging devices from our partners to help create an ideal workflow in intraoperative imaging. With our mobile hybrid operating room solutions, you can perform imaging and surgical procedures in any suitable room, avoid construction costs associated with larger dedicated hybrid operating rooms and easily transport all devices, reducing complexity for staff.

Technical Data Specifications

TS7500 COLUMNS

	Stationary Column	Floor-Mounted Column	Mobile Column ¹
Rotation	360° free rotation Hybrid Column: 350°	350° free rotation Hybrid Column: 350°	-
Height adjustment	550 mm (21.65")	550 mm (21.65")	550 mm (21.65")
Trendelenburg/reverse	± 45°	± 45°	± 45°
Tilt	± 30°	± 30°	± 30°
Maximum overall load ²	400 kg (881 lbs)	400 kg (881 lbs)	400 kg (881 lbs)

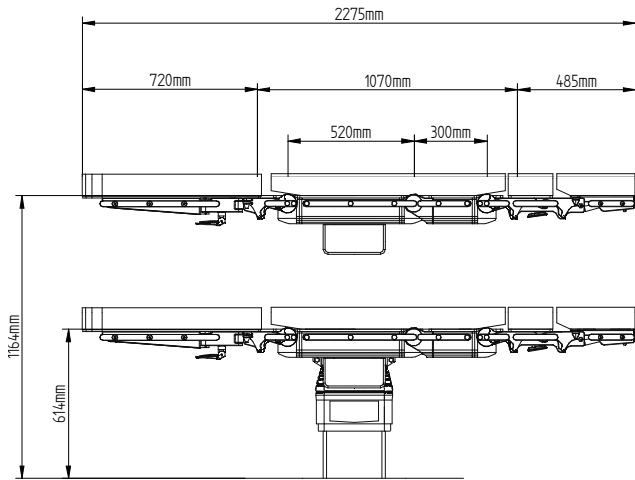
¹ Cleaning shuttle for raising the mobile column enables cleaning of the underside of the base plate.

² With restrictions, depending on position of patient.

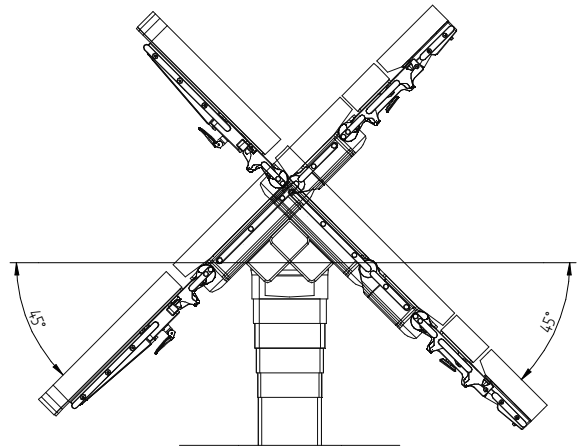
TS7500 TABLETOPS

	U24 H	Carbon FloatLine	Carbon Spine	Carbon X-TRA	MR Neuro	SQ14 X-TRA
Tabletop dimensions	1070 mm x 601 mm (42.1" x 23.66") with EU siderails	2290 mm x 520 mm (90.15" x 20.47") without extended tabletop, without siderails	2050 mm x 432 mm (80.71" x 17.01") without extended tabletop	2085 mm x 560 mm (82.1" x 22.0")	Length: 2619 mm (103.11") Width of the back and seat plate without siderails: 450 mm (17.71") Width of the back section with EU siderails: 515 mm (20.27") Width of the seat plate with EU siderails: 540 mm (21.25")	2395 mm x 600 mm (94.3" x 23.6")
Adjustment range joint upper back section	+ 90° / - 70°	-	-	-	-	-
Adjustment range joint lower back section	+ 90° / - 55°	-	-	-	+ 30°	-
Adjustment range joint leg section	+ 90° / - 105°	-	-	-	-	-
Longitudinal slide	400 mm (15.75")	800 mm (31.50") (Preferred direction) 650 mm (25.59") (Not in preferred direction)	800 mm (31.50") (Preferred direction) 650 mm (25.59") (Not in preferred direction)	455 mm (17.91")	472 mm (18.58")	350 mm (13.78")
Transverse slide	-	250 mm (9.84") / 125 mm (4.92") to the left or right from the zero position	-	170 mm (6.69") / 85 mm (3.34") to the left or right from the zero position	250 mm (9.84") / 125 mm (4.92") to the left or right from the zero position	176 mm (6.93")

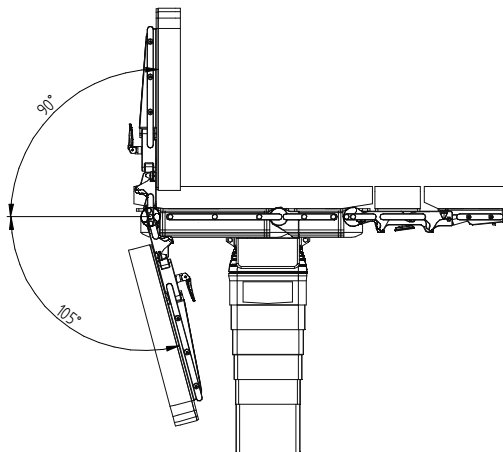
HEIGHT ADJUSTMENT



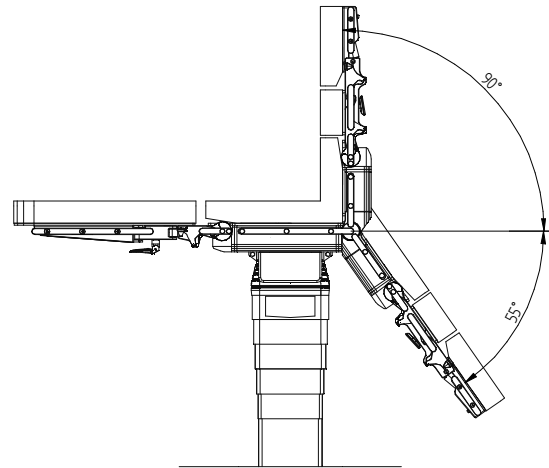
TRENDELENBURG/ REVERSE TRENDELENBURG



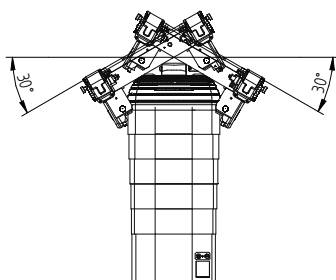
LEG SECTION ADJUSTMENT



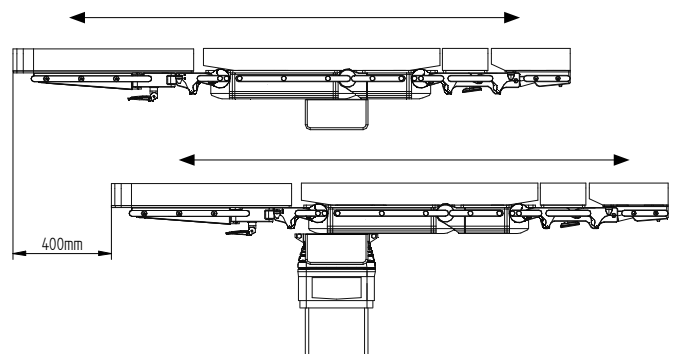
BACK SECTION ADJUSTMENT



TILT



LONGITUDINAL SLIDE



COMPREHENSIVE SUPPORT SERVICES

Discover all the ways Hillrom Services can support you — so you can support your patients.

CONSTRUCTION SOLUTIONS

Building a new surgical suite or upgrading your healthcare environment? Turn to the Hillrom Construction Solutions team to help you deliver on clinical, design and financial objectives throughout the planning and installation process.

SMARTCARE™ SERVICES

Our team is trained to handle anything from the smallest repairs to large-scale service projects. And at more than 1,000 strong, our vast network of service technicians is ready to help — even in a hurry.

Sophisticated customization starts with setting the right table.
Learn more about the TS7500 System Table at hillrom.eu.



Hillrom™

ABOUT HILLROM

Hillrom is a global medical technology leader whose 10,000 employees have a single purpose: enhancing outcomes for patients and their caregivers by advancing connected care. Around the world, our innovations touch over 7 million patients each day. They help enable earlier diagnosis and treatment, optimize surgical efficiency and accelerate patient recovery while simplifying clinical communication and shifting care closer to home. We make these outcomes possible through connected smart beds, patient lifts, patient assessment and monitoring technologies, caregiver collaboration tools, respiratory care devices, advanced operating room equipment and more, delivering actionable, real-time insights at the point of care. Learn more at hillrom.eu.

For more information, please contact
your local Hillrom sales representative.

hillrom.eu

Hillrom
Amerika Building (7th Floor),
Hoogoorddreef 15
1101 BA Amsterdam, The Netherlands

TS7500 naming corresponds to the following CE registered products: TS 7500 - 4091000

The TS7500 Surgical Table is intended to be used by clinicians and medically qualified personnel. This medical device is a regulated healthcare product which, pursuant to such regulation bears a CE mark. Hill-Rom recommends that you carefully read the detailed instructions for safe and proper use included in the documents accompanying the medical devices. The personnel of healthcare establishments are responsible for the proper use and maintenance of these medical devices. Hill-Rom reserves the right to make changes without notice in design, specifications and models. The only warranty Hill-Rom makes is the express written warranty extended on the sale or rental of its products. TRUMPF Medizin Systeme GmbH + Co. KG is a subsidiary of Hill-Rom Holdings, Inc.